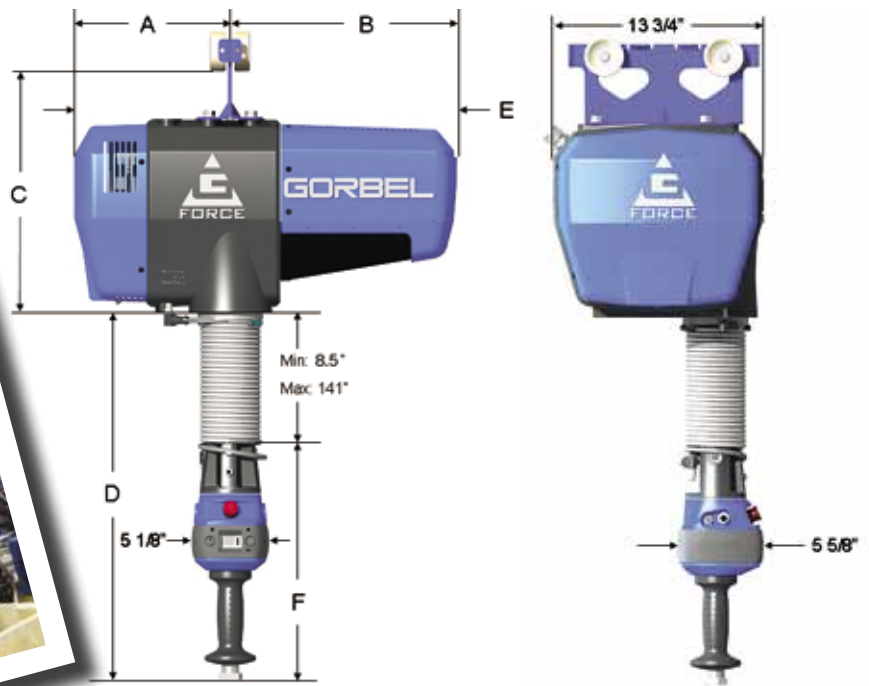
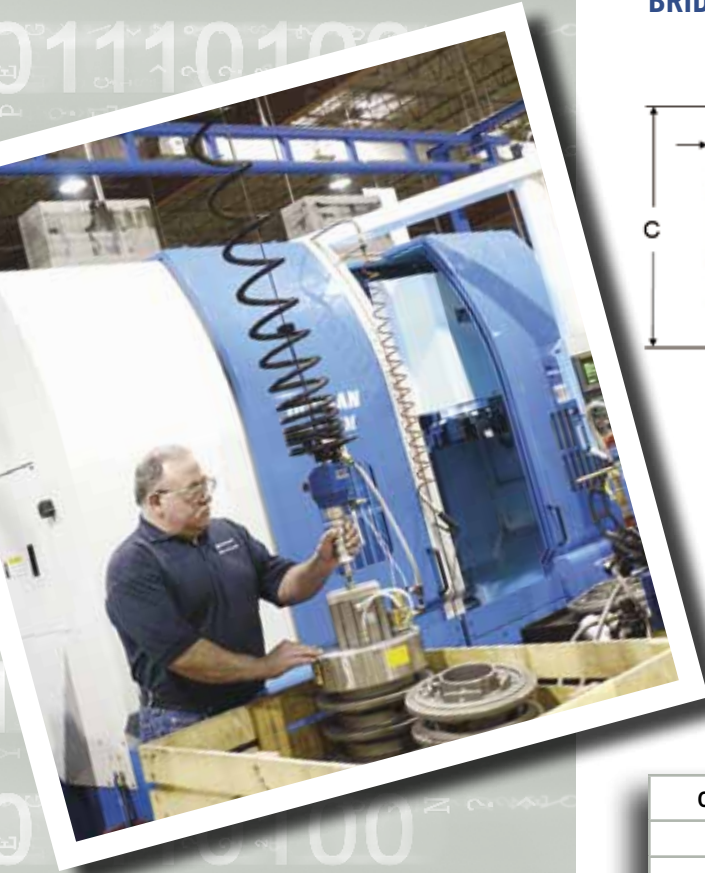


G-FORCE® Q AND IQ BRIDGE CRANE MOUNTED LIFTING DEVICE



"WITH THE G-FORCE® WE WERE ABLE TO MOVE MORE PRODUCT IN LESS TIME. WE PRODUCED MORE ENGINES IN THE PAST YEAR THAN ANY OTHER YEAR IN COMPANY HISTORY—WITH FEWER OVERTIME HOURS."
- MANUFACTURING MANAGER

CAPACITY	165 lb (75 kg)	330 lb (150 kg)	660 lb (300 kg)
A	8.625" (219mm)	10.25" (260mm)	10.25" (260mm)
B	14.375" (365)	15" (381)	15" (381)
C	17" (432)	17" (432)	17" (432)
D	24.5" (622)	24.5" (622)	24.5" (622)
E	23" (584)	25.25" (641)	25.25" (641)
F	16" (406)	16" (406)	16" (406)

C dimension may change according to the track series you're using. Consult factory for actual dimension. D references unit in full up position.

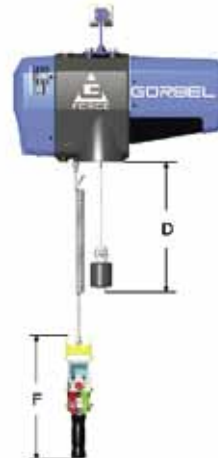
G-FORCE® Q AND IQ HANDLE CONFIGURATION OPTIONS

DIMENSIONS	Remote Slide	Suspended Pendant	Remote Pendant
D	16" (406mm)	7" (178mm)	16" (406mm)
F	14.25" (362)	14" (356)	14" (356)

Remote Mount
Slide Handle



Suspended Pendant
Control Handle



Remote Mount
Pendant Control Handle



www.gorbel.com
800.821.0086

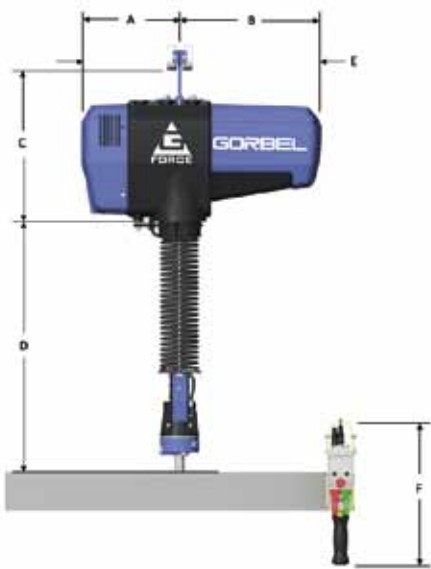
1320 LB UNIT HANDLE CONFIGURATIONS



In-Line Slide Handle



Remote Slide



Remote Pendant



Suspended Pendant

DIMENSIONS	IN-LINE SLIDE HANDLE	REMOTE SLIDE	REMOTE PENDANT	SUSPENDED PENDANT
A	10.25" (260mm)	10.25" (260mm)	10.25" (260mm)	10.25" (260mm)
B	15" (381)	15" (381)	15" (381)	15" (381)
C	17" (432)	17" (432)	17" (432)	17" (432)
D	29" (737)	20" (508)	20" (508)	16" (406)
E	25.25" (641)	25.25" (641)	25.25" (641)	25.25" (641)
F	19.5" (495)	14.25" (362)	14" (356)	14" (356)

D references unit in full up position.