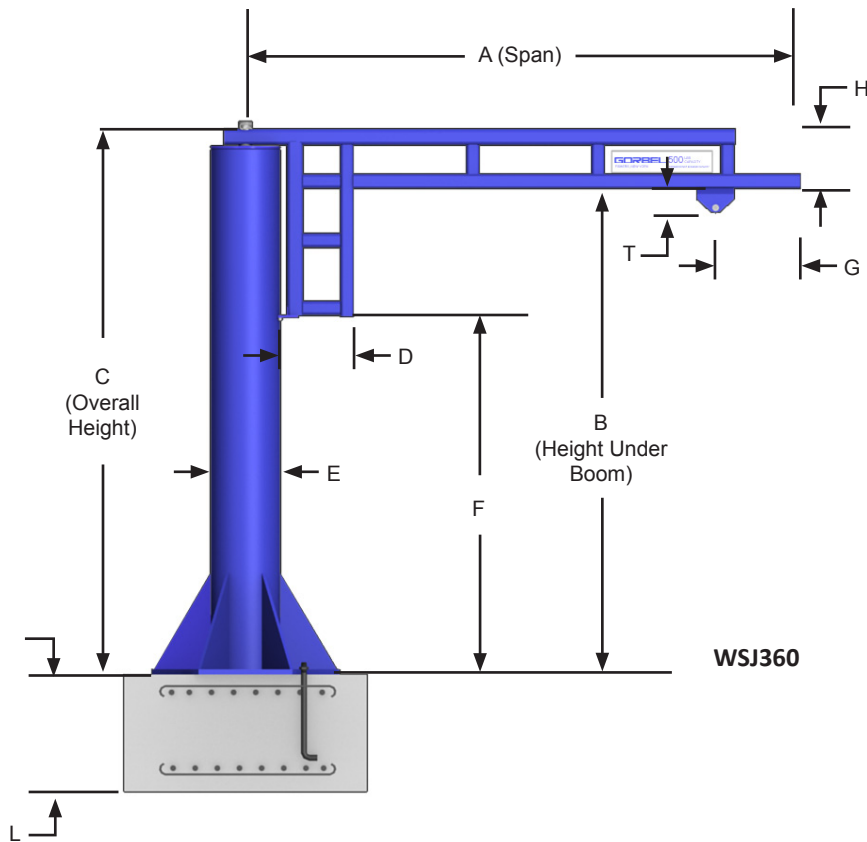
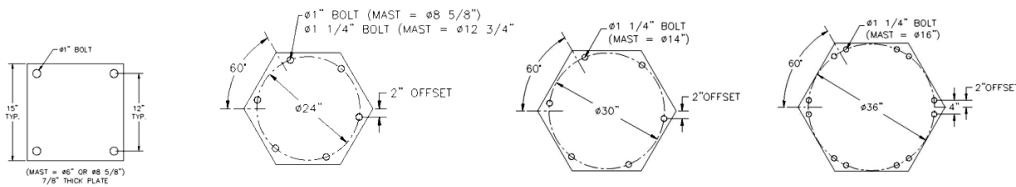


WSJ360 Free Standing Work Station Jibs: 360° Rotation



Base Bolt Patterns



WSJ360 is available in stainless steel for models with 250 or 500 lb. capacities.

Jib crane foundation requirements are based on a soil pressure of 2500# per square foot. Concrete recommended for jib crane foundation is 3000# per square inch of compressive force.

Standard hoist trolley and end stops included in the base price. Festooning, anchor bolts and installation templates are optional. Hoist by others. Dimensions and design details subject to change without notice. Existing floor should have no cracks or seams within a 48" square area around center of mast.



WSJ360 Portable Base: To allow a WSJ360 to be lifted with a lift truck and transported to multiple locations, a portable base is required.

Enclosed Track Jibs

WSJ360 Free Standing Work Station Jibs: 360° Rotation

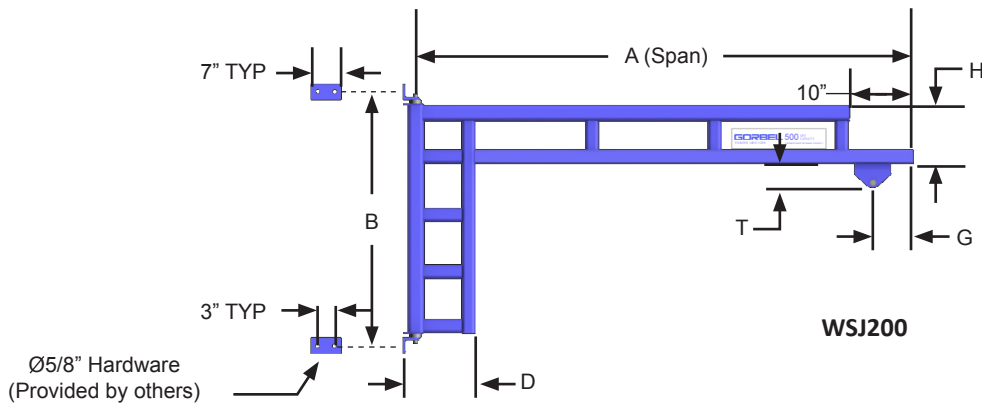
CAPACITY	HUB (B)	SPAN (A)	MODEL NUMBER	TRACK SERIES	WEIGHT	C	D	E	F	G	H	L	T	BOLT QTY.	ANCHOR BOLT LOAD
						in	in	in	in	in	in	in	in		
150#	8'	8'	WSJ360-150-8-8	250	390#	108-1/4	9-3/4	6-5/8	73-7/8	5	9	6	1-1/2	4	820#
		10'	WSJ360-150-8-10	250	411#	108-1/4	9-3/4	6-5/8	73-7/8	5	9	6	1-1/2	4	1100#
		12'	WSJ360-150-8-12	250	443#	111-1/4	12-3/4	6-5/8	64-7/8	5	12	6	1-1/2	4	1390#
		14'	WSJ360-150-8-14	500	511#	113-3/4	16-1/4	6-5/8	55-7/8	7-1/8	15	6	2-7/8	4	1830#
		16'	WSJ360-150-8-16	500	589#	113-3/4	16-1/4	8-5/8	55-7/8	7-1/8	15	6	2-7/8	4	2190#
	10'	8'	WSJ360-150-10-8	250	427#	132-1/4	9-3/4	6-5/8	97-7/8	5	9	6	1-1/2	4	810#
		10'	WSJ360-150-10-10	250	448#	132-1/4	9-3/4	6-5/8	97-7/8	5	9	6	1-1/2	4	1090#
		12'	WSJ360-150-10-12	250	487#	135-1/4	12-3/4	6-5/8	88-7/8	5	12	6	1-1/2	4	1380#
		14'	WSJ360-150-10-14	500	549#	137-3/4	16-1/4	6-5/8	79-7/8	7-1/8	15	6	2-7/8	4	1820#
		16'	WSJ360-150-10-16	500	634#	137-3/4	16-1/4	8-5/8	79-7/8	7-1/8	15	6	2-7/8	4	2180#
	12'	8'	WSJ360-150-12-8	250	465#	156-1/4	9-3/4	6-5/8	121-7/8	5	9	6	1-1/2	4	800#
		10'	WSJ360-150-12-10	250	486#	156-1/4	9-3/4	6-5/8	121-7/8	5	9	6	1-1/2	4	1080#
		12'	WSJ360-150-12-12	250	519#	159-1/4	12-3/4	6-5/8	112-7/8	5	12	6	1-1/2	4	1370#
		14'	WSJ360-150-12-14	500	630#	161-3/4	16-1/4	8-5/8	103-7/8	7-1/8	15	6	2-7/8	4	1800#
		16'	WSJ360-150-12-16	500	679#	161-3/4	16-1/4	8-5/8	103-7/8	7-1/8	15	6	2-7/8	4	2170#
250#	8'	8'	WSJ360-250-8-8	250	461#	108-1/4	9-3/4	6-5/8	73-7/8	5	9	6	1-1/2	4	1310#
		10'	WSJ360-250-8-10	250	499#	111-1/4	12-3/4	6-5/8	64-7/8	5	12	6	1-1/2	4	1730#
		12'	WSJ360-250-8-12	500	562#	114-1/4	12-3/4	8-5/8	55-7/8	7-1/8	15	36	2-7/8	6	910#
		14'	WSJ360-250-8-14	500	613#	113-3/4	16-1/4	8-5/8	55-7/8	7-1/8	15	36	2-7/8	6	1140#
		16'	WSJ360-250-8-16	500	661#	113-3/4	16-1/4	8-5/8	55-7/8	7-1/8	15	36	2-7/8	6	1370#
	10'	8'	WSJ360-250-10-8	250	535#	132-1/4	9-3/4	8-5/8	97-7/8	5	9	6	1-1/2	4	1290#
		10'	WSJ360-250-10-10	250	574#	135-1/4	12-3/4	8-5/8	88-7/8	5	12	6	1-1/2	4	1710#
		12'	WSJ360-250-10-12	500	607#	138-1/4	12-3/4	8-5/8	79-7/8	7-1/8	15	36	2-7/8	6	900#
		14'	WSJ360-250-10-14	500	658#	137-3/4	16-1/4	8-5/8	79-7/8	7-1/8	15	36	2-7/8	6	1130#
		16'	WSJ360-250-10-16	500	706#	137-3/4	16-1/4	8-5/8	79-7/8	7-1/8	15	36	2-7/8	6	1360#
	12'	8'	WSJ360-250-12-8	250	580#	156-1/4	9-3/4	8-5/8	121-7/8	5	9	6	1-1/2	4	1280#
		10'	WSJ360-250-12-10	250	618#	159-1/4	12-3/4	8-5/8	112-7/8	5	12	6	1-1/2	4	1700#
		12'	WSJ360-250-12-12	500	651#	162-1/4	15-3/4	8-5/8	103-7/8	7-1/8	15	36	2-7/8	6	890#
		14'	WSJ360-250-12-14	500	702#	161-3/4	16-1/4	8-5/8	103-7/8	7-1/8	15	36	2-7/8	6	1120#
		16'	WSJ360-250-12-16	500	891#	161-3/4	16-1/4	12-3/4	103-7/8	7-1/8	15	36	2-7/8	6	1310#
500#	8'	8'	WSJ360-500-8-8	500	518#	111-1/4	12-3/4	8-5/8	64-7/8	7-1/8	12	36	2-7/8	6	1030#
		10'	WSJ360-500-8-10	500	640#	111-1/4	12-5/8	12-3/4	64-7/8	7-1/8	12	36	2-7/8	6	1350#
		12'	WSJ360-500-8-12	500	676#	114-1/4	15-5/8	12-3/4	55-7/8	7-1/8	15	36	2-7/8	6	1710#
		14'	WSJ360-500-8-14	1000	962#	116-1/4	16-1/4	12-3/4	58-3/8	7-7/8	17-1/2	48	3-1/8	6	2140#
		16'	WSJ360-500-8-16	1000	1005#	116-1/4	16-1/4	12-3/4	58-3/8	7-7/8	17-1/2	48	3-1/8	6	2530#
	10'	8'	WSJ360-500-10-8	500	563#	135-1/4	12-3/4	8-5/8	88-7/8	7-1/8	12	36	2-7/8	6	1020#
		10'	WSJ360-500-10-10	500	707#	135-1/4	12-5/8	12-3/4	88-7/8	7-1/8	12	36	2-7/8	6	1340#
		12'	WSJ360-500-10-12	500	743#	138-1/4	15-5/8	12-3/4	79-7/8	7-1/8	15	36	2-7/8	6	1690#
		14'	WSJ360-500-10-14	1000	1004#	140-1/4	16-1/4	12-3/4	82-3/8	7-7/8	17-1/2	48	3-1/8	6	2120#
		16'	WSJ360-500-10-16	1000	1047#	140-1/4	16-1/4	12-3/4	82-3/8	7-7/8	17-1/2	48	3-1/8	6	2520#
	12'	8'	WSJ360-500-12-8	500	749#	159-1/4	12-5/8	12-3/4	112-7/8	7-1/8	12	36	2-7/8	6	980#
		10'	WSJ360-500-12-10	500	773#	159-1/4	12-5/8	12-3/4	112-7/8	7-1/8	12	36	2-7/8	6	1320#
		12'	WSJ360-500-12-12	500	810#	162-1/4	15-5/8	12-3/4	103-7/8	7-1/8	15	36	2-7/8	6	1680#
		14'	WSJ360-500-12-14	1000	1046#	164-1/4	16-1/4	12-3/4	106-3/8	7-7/8	17-1/2	48	3-1/8	6	2110#
		16'	WSJ360-500-12-16	1000	1309#	165-1/4	16-5/8	14	106-3/8	7-7/8	17-1/2	48	3-1/8	6	1880#
1000#	8'	8'	WSJ360-1000-8-8	1000	631#	111-1/4	12-5/8	12-3/4	64-7/8	7-7/8	12	48	3-1/8	6	2080#
		10'	WSJ360-1000-8-10	1000	702#	114-1/4	15-5/8	12-3/4	56-7/8	7-7/8	15	48	3-1/8	6	2690#
		12'	WSJ360-1000-8-12	1000	728#	116-1/4	15-5/8	12-3/4	57-7/8	7-7/8	17	48	3-1/8	6	3370#
		14'	WSJ360-1000-8-14	2000	1202#	118-3/4	18-5/8	14	40	8-1/8	20	48	2-7/8	6	3210#
		16'	WSJ360-1000-8-16	2000	1271#	118-3/4	18-5/8	14	40	8-1/8	20	48	2-7/8	6	3800#
	10'	8'	WSJ360-1000-10-8	1000	698#	135-1/4	12-5/8	12-3/4	88-7/8	7-7/8	12	48	3-1/8	6	2020#
		10'	WSJ360-1000-10-10	1000	768#	138-1/4	15-5/8	12-3/4	80-7/8	7-7/8	15	48	3-1/8	6	2680#
		12'	WSJ360-1000-10-12	1000	795#	140-1/4	15-5/8	12-3/4	81-7/8	7-7/8	17	48	3-1/8	6	3350#
		14'	WSJ360-1000-10-14	2000	1264#	142-3/4	18-5/8	14	64	8-1/8	20	48	2-7/8	6	3180#
		16'	WSJ360-1000-10-16	2000	1337#	142-3/4	18-5/8	14	64	8-1/8	20	48	2-7/8	6	3770#
	12'	8'	WSJ360-1000-12-8	1000	765#	159-1/4	12-5/8	12-3/4	112-7/8	7-7/8	12	48	3-1/8	6	2000#
		10'	WSJ360-1000-12-10	1000	835#	162-1/4	15-5/8	12-3/4	104-7/8	7-7/8	15	48	3-1/8	6	2670#
		12'	WSJ360-1000-12-12	1000	862#	164-1/4	15-5/8	12-3/4	105-7/8	7-7/8	17	48	3-1/8	6	3340#
		14'	WSJ360-1000-12-14	2000	1399#	166-3/4	18-5/8	14	88	8-1/8	20	48	2-7/8	6	3160#
		16'	WSJ360-1000-12-16	2000	1548#	166-3/4	18-5/8	16	88	8-1/8	20	48	2-7/8	12	1510#

Additional Sizes and Capacities Readily Available

Other spans, heights, and capacities are available by contacting your local Gorbel® dealer.

Note: Dimensions are subject to change without notice.

WSJ200 Wall Cantilever Work Station Jibs: 200° Rotation



CAPACITY	SPAN (A)	MODEL NUMBER	TRACK SERIES	WEIGHT	B	D	G	H	T	THRUST & PULL
					in	in	in	in	in	
150#	8'	WSJ200-150-8	250	160#	36	10-3/8	5	9	1-1/2	612#
	10'	WSJ200-150-10	250	181#	36	10-3/8	5	9	1-1/2	801#
	12'	WSJ200-150-12	250	216#	48	13-3/8	5	12	1-1/2	750#
	14'	WSJ200-150-14	500	282#	60	16-7/8	7-1/8	15	2-7/8	782#
	16'	WSJ200-150-16	500	330#	60	16-7/8	7-1/8	15	2-7/8	932#
250#	8'	WSJ200-250-8	250	160#	36	10-3/8	5	9	1-1/2	962#
	10'	WSJ200-250-10	250	198#	48	13-3/8	5	12	1-1/2	933#
	12'	WSJ200-250-12	500	252#	60	16-3/8	7-1/8	15	2-7/8	945#
	14'	WSJ200-250-14	500	282#	60	16-7/8	7-1/8	15	2-7/8	1160#
	16'	WSJ200-250-16	500	330#	60	16-7/8	7-1/8	15	2-7/8	1366#
500#	8'	WSJ200-500-8	500	188#	48	13-3/8	7-1/8	12	2-7/8	1390#
	10'	WSJ200-500-10	500	213#	48	13-3/8	7-1/8	12	2-7/8	1784#
	12'	WSJ200-500-12	500	252#	60	16-3/8	7-1/8	15	2-7/8	1750#
	14'	WSJ200-500-14	1000	384#	60	16-7/8	7-7/8	17-1/2	3-1/8	2152#
	16'	WSJ200-500-16	1000	416#	60	16-7/8	7-7/8	17-1/2	3-1/8	2512#
1000#	8'	WSJ200-1000-8	1000	204#	48	13-3/8	7-7/8	12	3-1/8	2722#
	10'	WSJ200-1000-10	1000	274#	60	16-3/8	7-7/8	15	3-1/8	2781#
	12'	WSJ200-1000-12	1000	301#	60	16-3/8	7-7/8	17	3-1/8	3394#
	14'	WSJ200-1000-14	2000	546#	72	18-7/8	8-1/8	20	2-7/8	3451#
	16'	WSJ200-1000-16	2000	595#	72	18-7/8	8-1/8	20	2-7/8	4010#

Additional Sizes and Capacities Readily Available
Other spans, heights, and capacities are available by contacting your local Gorbel® dealer.

Note: Dimensions are subject to change without notice.

Accessories for Work Station Jib Cranes

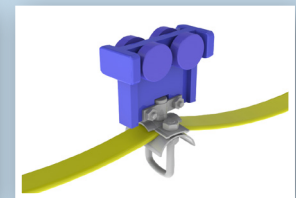
Festooning

Festoon Saddle: Gorbel's Tool Solution saddles were designed for applications that require festooning of cables and hoses. The arched saddle with the option of angled mounting creates a very clean, efficient way to manage your cables and wires.

Saddles are available in 3 and 6 inch diameters for various sized festooning with a 75 pound capacity per saddle. The universal mounting plate allows for the saddle to hang in line with the track, or at a 30° angle to assist the cable in self-coiling, taking up less track space and allowing more room for end approach.

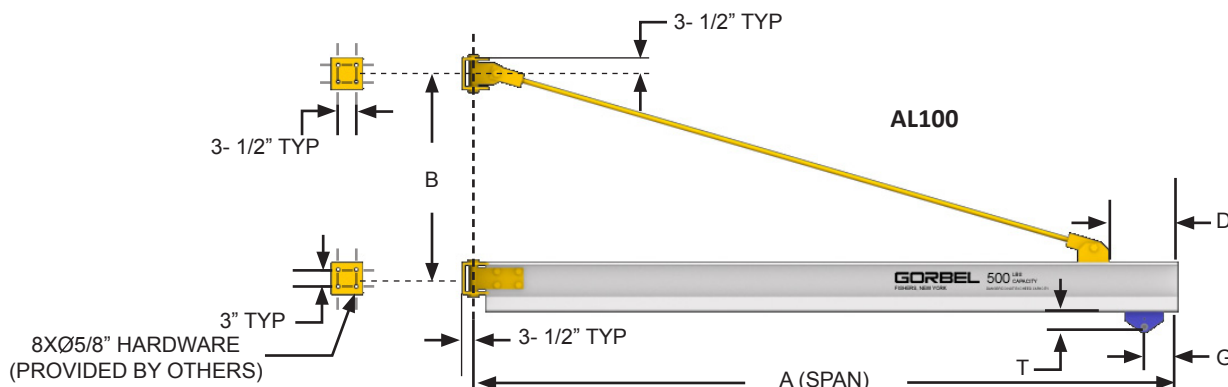


Festoon Gliders are used to support flat electrical cable along the jib boom. No tools are required to attach the festooning to the gliders. *Not available for AL100 jibs.*



Festoon Trolleys are used to support flat cable, air hose or round cable along the jib boom. The trolleys have four wheels and a pivoting festoon saddle support.

AL100 Wall Bracket Work Station Jibs: 200° Rotation



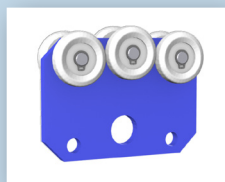
CAPACITY	SPAN (A)	MODEL NUMBER	TRACK SERIES	WEIGHT	B	D	G	T	TIE ROD DIAMETER	THRUST & PULL
					in	in	in	in		
250#	8'	AL100-G1-250-8	A0250	165#	24	18	7-1/4	2-5/8	1"	1377#
	10'	AL100-G1-250-10	A0250	178#	27	21	7-1/4	2-5/8	1"	1567#
	12'	AL100-G1-250-12	A0250	190#	30	24	7-1/4	2-5/8	1"	1725#
	14'	AL100-G1-250-14	A0250	203#	33	27	7-1/4	2-5/8	1"	1861#
	16'	AL100-G1-250-16	A0250	216#	36	30	7-1/4	2-5/8	1"	1979#
500#	8'	AL100-G1-500-8	A0500	173#	36	18	7-1/4	2-5/8	1"	1800#
	10'	AL100-G1-500-10	A0500	187#	42	21	7-1/4	2-5/8	1"	1967#
	12'	AL100-G1-500-12	A0500	202#	48	24	7-1/4	2-5/8	1"	2097#
	14'	AL100-G1-500-14	A0500	217#	54	27	7-1/4	2-5/8	1"	2202#
	16'	AL100-G1-500-16	A0500	231#	60	30	7-1/4	2-5/8	1"	2290#
1000#	8'	AL100-G1-1000-8	A1000	203#	30	18	7-7/8	2-7/8	1"	4306#
	10'	AL100-G1-1000-10	A1000	225#	33	21	7-7/8	2-7/8	1"	4987#
	12'	AL100-G1-1000-12	A1000	246#	36	24	7-7/8	2-7/8	1"	5566#
	14'	AL100-G1-1000-14	A1000	268#	39	27	7-7/8	2-7/8	1"	6066#
	16'	AL100-G1-1000-16	A1000	289#	42	30	7-7/8	2-7/8	1"	6504#
2000#	8'	AL100-G1-2000-8	A2000	231#	48	18	12-7/8	2-7/8	1"	4982#
	10'	AL100-G1-2000-10	A2000	256#	54	21	12-7/8	2-7/8	1"	5713#
	12'	AL100-G1-2000-12	A2000	280#	60	24	12-7/8	2-7/8	1"	6307#
	14'	AL100-G1-2000-14	A2000	305#	66	27	12-7/8	2-7/8	1"	6800#
	16'	AL100-G1-2000-16	A2000	330#	75	30	12-7/8	2-7/8	1"	6929#

Additional Sizes and Capacities Readily Available

Other spans, heights, and capacities are available by contacting your local Gorbel® dealer.

Note: Dimensions are subject to change without notice.

Trolley Options



Light Tool Trolley: Designed specifically for suspended small tools, the light tool trolley features a six wheel design with the center wheel positioned slightly higher to prevent binding when force is applied at an angle. The short

wheel base allows for multiple trolleys to be used in a small area, making this trolley ideal for hanging tooling with spring balancers that require side loading capabilities. This trolley fits 250 series track in capacities up to 75 lbs.



Heavy Tool Trolley: The heavy tool trolley features six wheels with the center axis set higher to prevent binding. With a higher capacity and longer body profile, this trolley fits 500 series track in capacities up to 125 lbs., and can be used for suspending tools or festooning. An optional swivel attachment can be added to the bottom edge to support festooning of electrical, air or vacuum tube.

Rotation Options

Four Ring Electrical Collector (Top or Bottom Entry - not shown) Provides continuous 360° rotation of the boom when using an electrical lifting device. The top entry collector requires 11 ¼" additional clearance height

Air Swivel (Top or Bottom Entry - not shown) Provides continuous 360 rotation of the boom when using an air powered lifting device. A top entry collector require 5" of additional clearance above the pivot pin. The bottom entry collector requires 8 ½ to 9 ½ inches above the pivot pin depending on span and capacity.

Manual Rotation Stops (not shown): To prevent boom damage to machines, equipment, or building structures, rotation stops can be used to limit the WSJ360 rotation to less than 360°.